

BP-MF690 (15) Datasheet

MEDIUM-FLOW BACK PRESSURE REGULATOR



Gas
 Liquid
 Diaphragm
 Piston
 Max Rating: 690 bar (10,000 psi)
 Control Range: 300 bar (4,350 psi)
 Cv 1.5



INTRODUCING THE BP-MF690 (15)...

The BP-MF690 (15) is a piston-sensed medium-flow back pressure regulator for gas or liquid applications. The gas version includes a PEEK™ seat, whilst the liquid version features ceramic seating for excellent protection from cavitation and positive shut-off on medium-flow applications.

The BP-MF690 (15) accurately controls inlet pressures of up to 300 bar (4,350 psi) and vents excess pressure back via the threaded NPT outlet port.

SPECIFICATION

Max. Rating	690 bar (10,000 psi)
Control Range	Up to 300 bar (4,350 psi)
Design Proof Pressure	150% max. working pressure
Seat Leakage	In accordance with ANSI/FCI 70-3
Weight	5kg (11lbs)

STANDARD MATERIALS OF CONSTRUCTION

PART	MATERIALS
Body and Bonnet	ASTM A479 316/316L Stainless Steel (UNS S31600/S31603)
Main Valve Pin	Inconel® 718 (UNS N07718)
Seat	PEEK™ (450G) Ceramic (Zirconia)
Valve Spring	ASTM A240 301 Stainless Steel (UNS S30100)
Piston	ASTM A479 316/316L Stainless Steel
Handwheel	Nylon
O-Rings	NBR N70 (Nitrile Buna N) FKM/FPM (Viton)
Loading Spring	ASTM A240 301 Stainless Steel

Note: Pressure regulator rating may be limited by connection type, Cv and/or seat material. Contact the office for specific pressure or temperature requirements.

FEATURES AND BENEFITS

1 PISTON SENSING ELEMENT

Perfect for use in challenging conditions.

2 CERAMIC SEATING DESIGN

Provides the ultimate protection against cavitation on hydraulic services.

3 OPTIONAL AIR ACTUATOR

For fine remote adjustment.

4 OPTIONAL FLANGED CONNECTION

For compatibility with flanged systems.

Product availability and specifications contained herein are subject to change without notice. Consult local distributor or factory for potential revisions and/or service related issues. Pressure Tech Ltd support with product selection recommendations only - it is the users responsibility to ensure the product is suitable for their specific application requirements.



PRESSURE TECH LTD

Unit 24, Graphite Way, Hadfield, Glossop, Derbyshire, UK, SK13 1QH
 T +44 (0)1457 899 307
 E sales@pressure-tech.com
 W www.pressure-tech.com

DESIGNED, MANUFACTURED AND BUILT IN THE UK

290923

PAGE:
1 OF 4

BP-MF690 (15) Datasheet

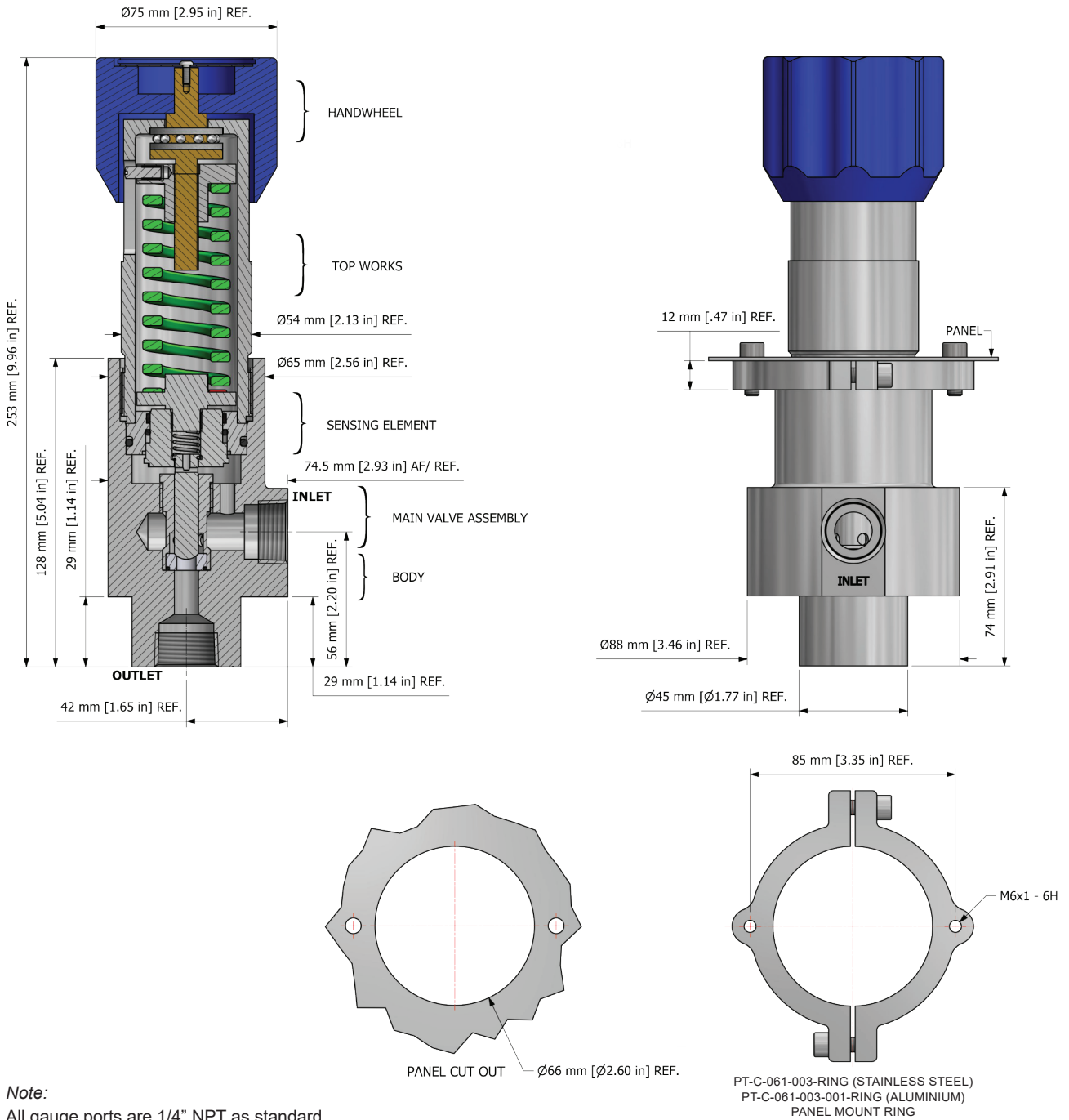
MEDIUM-FLOW BACK PRESSURE REGULATOR



● Gas ● Liquid |
 ● Diaphragm ● Piston |
 Max Rating: 690 bar (10,000 psi) |
 Control Range: 300 bar (4,350 psi) |
 Cv 1.5

DRAWINGS AND INSTALLATION DIMENSIONS

Dimensions shown for 3/4" NPT option and standard configurations only - please contact the office for other options.



Product availability and specifications contained herein are subject to change without notice. Consult local distributor or factory for potential revisions and/or service related issues. Pressure Tech Ltd support with product selection recommendations only - it is the users responsibility to ensure the product is suitable for their specific application requirements.



PRESSURE TECH LTD
 Unit 24, Graphite Way, Hadfield, Glossop, Derbyshire, UK, SK13 1QH
 T +44 (0)1457 899 307
 E sales@pressure-tech.com
 W www.pressure-tech.com

DESIGNED, MANUFACTURED AND BUILT IN THE UK

290923

PAGE:
2 OF 4

BP-MF690 (15) Datasheet

MEDIUM-FLOW BACK PRESSURE REGULATOR

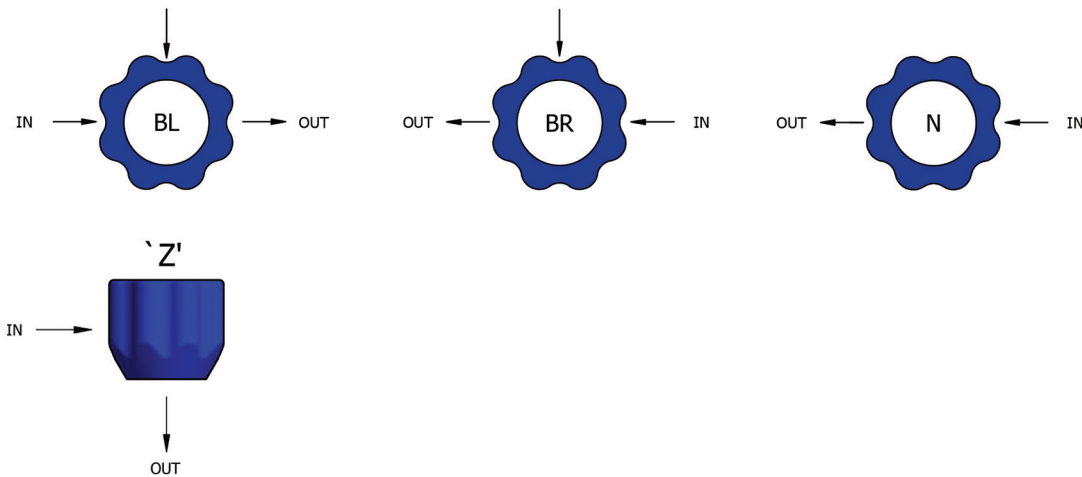


● Gas ● Liquid | ● Diaphragm ● Piston | Max Rating: 690 bar (10,000 psi) | Control Range: 300 bar (4,350 psi) | Cv 1.5

FLOW CURVE

Please contact the office for further information.

PORTING CONFIGURATIONS



Note:

Additional porting configurations are available - please contact the office for further information.

Product availability and specifications contained herein are subject to change without notice. Consult local distributor or factory for potential revisions and/or service related issues. Pressure Tech Ltd support with product selection recommendations only - it is the users responsibility to ensure the product is suitable for their specific application requirements.



PRESSURE TECH LTD

Unit 24, Graphite Way, Hadfield, Glossop, Derbyshire, UK, SK13 1QH
T +44 (0)1457 899 307
E sales@pressure-tech.com
W www.pressure-tech.com

DESIGNED, MANUFACTURED AND BUILT IN THE UK

290923

PAGE:
3 OF 4

BP-MF690 (15) Datasheet

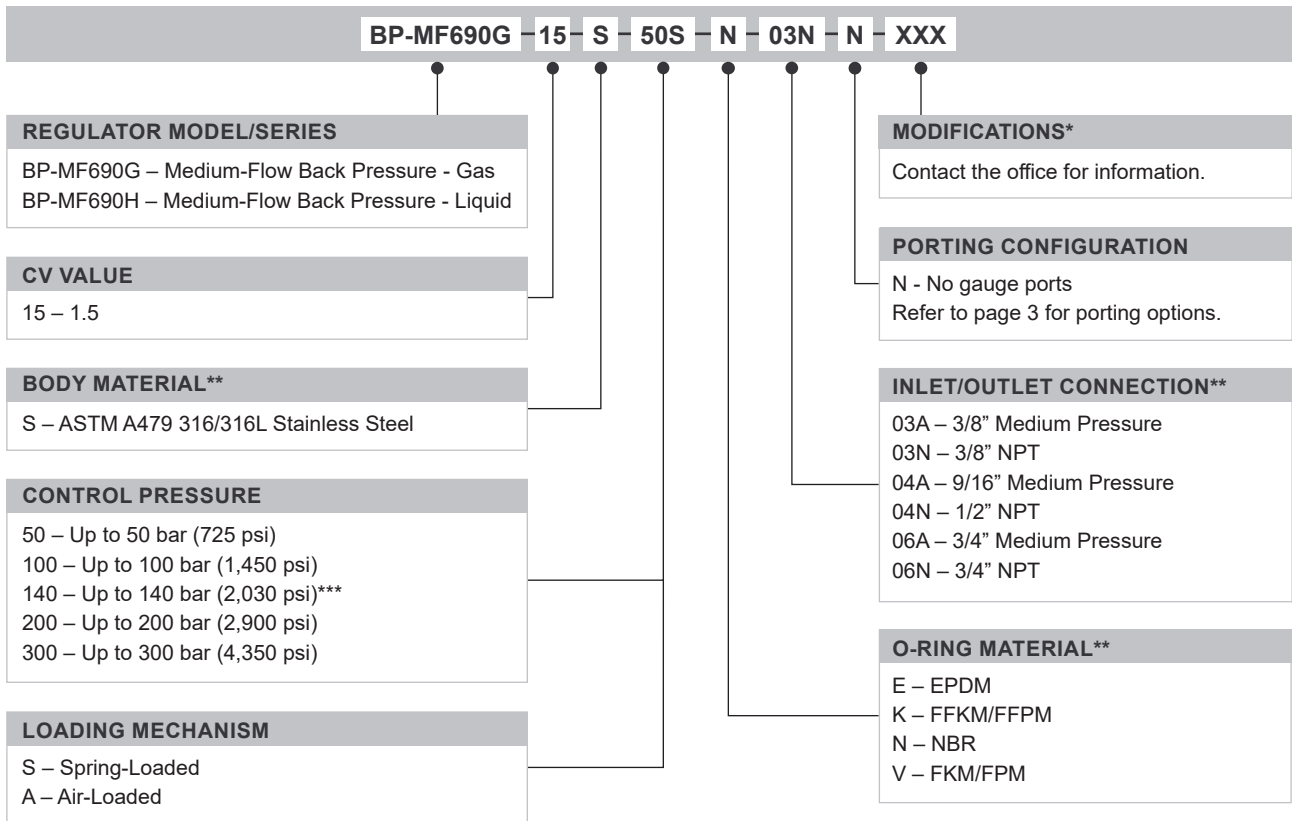
MEDIUM-FLOW BACK PRESSURE REGULATOR



Gas
 Liquid
 Diaphragm
 Piston
 Max Rating: 690 bar (10,000 psi)
 Control Range: 300 bar (4,350 psi)
 Cv 1.5

ORDERING INFORMATION

To build a Pressure Tech part number, simply combine the characters identified below in sequence:



OPTIONAL EXTRAS		
	PART NUMBER	DESCRIPTION
Service Kit	SRK-BP-MF690-15...	Various options available
Panel Mounting Ring	PT-C-061-003-RING	Stainless Steel panel mount ring
Panel Mounting Ring	PT-C-061-003-001-RING	Aluminium panel mount ring

Note: Ancillary equipment also available

TRADEMARK: PEEK™ is a trademark of Victrex PLC

* Where applicable
 ** Other materials/connections may be available
 *** Air-loaded only

Product availability and specifications contained herein are subject to change without notice. Consult local distributor or factory for potential revisions and/or service related issues. Pressure Tech Ltd support with product selection recommendations only - it is the users responsibility to ensure the product is suitable for their specific application requirements.



PRESSURE TECH LTD
 Unit 24, Graphite Way, Hadfield, Glossop, Derbyshire, UK, SK13 1QH
 T +44 (0)1457 899 307
 E sales@pressure-tech.com
 W www.pressure-tech.com

DESIGNED, MANUFACTURED AND BUILT IN THE UK

290923

PAGE: 4 OF 4